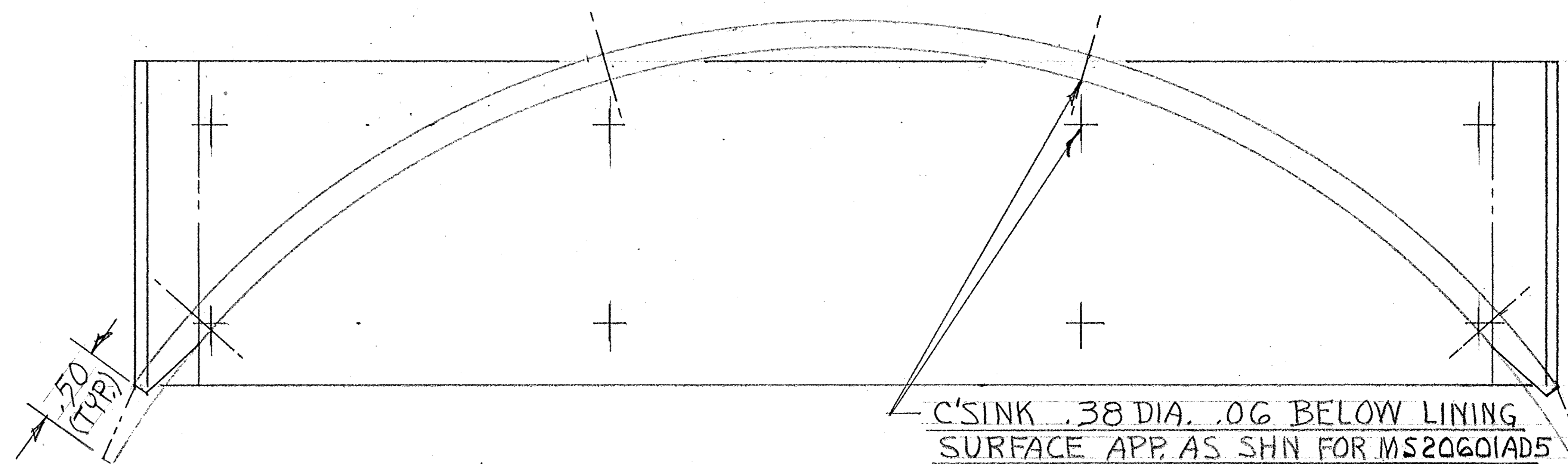
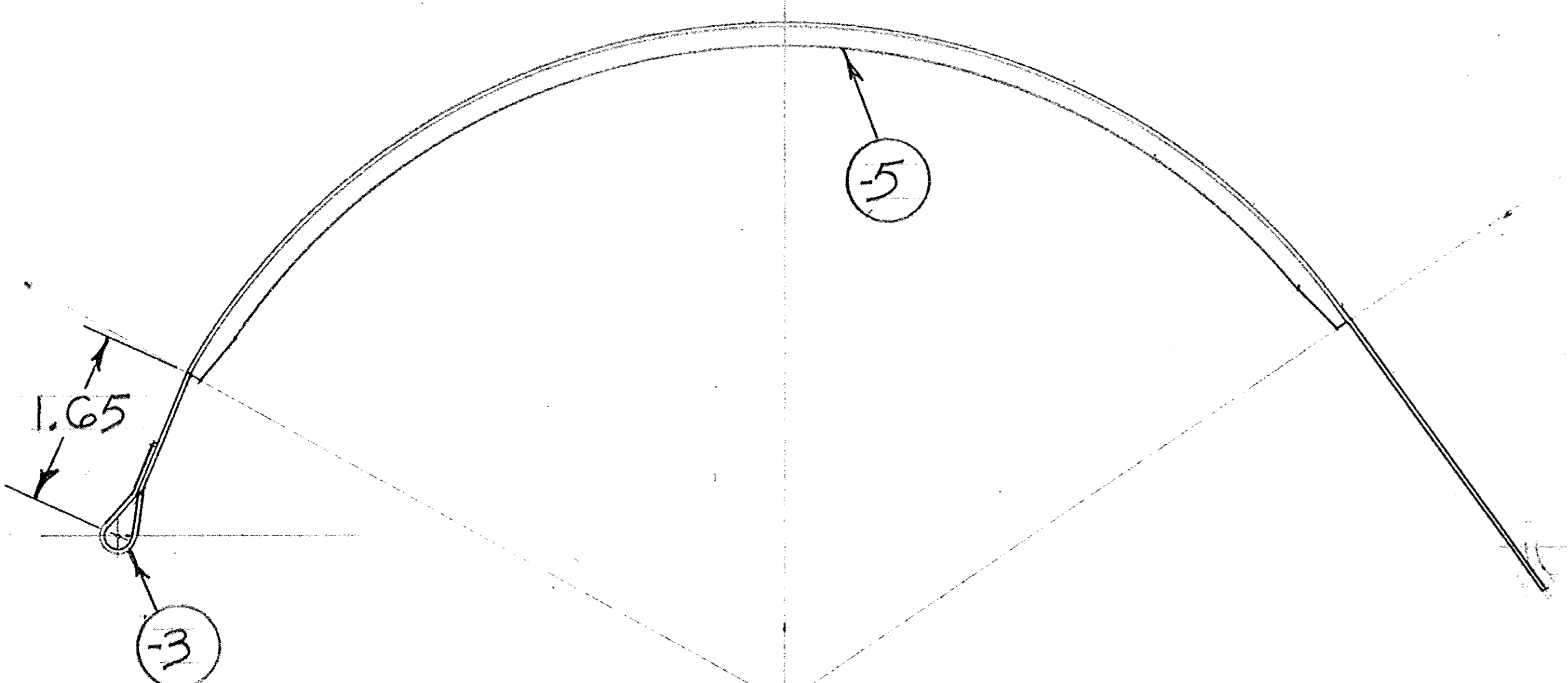


2622ID-3 BRAKE SHOE  
2622ID-7 BRAKE SHOE 1-266 ONLY



2622ID-5 LINING (MODIFIED)  
GREY ROCK PRIMARY #BB-299-SD



2622ID-1 BRAKE SHOE ASS'Y

SCALE = 20

NOTES:

- CHG "A" = ① F/B 17.50 (APPROX.) TO 15.75 (ACTUAL). ② F/B ADD .31, 2.06 & 4.26 DIM'S. ③ F/D & B/M FROM AN426AD5 TO MS20601AD5 RIVETS
- CHG "B" = B<sub>1</sub>, 15.75 TO 17.25  
B<sub>2</sub>, 2.06 TO 2.31 B<sub>3</sub>, 4.62 TO 4.37,  
B<sub>4</sub>, .25 I.D. TO .25 ± .03 / B<sub>5</sub>,  
.31 TO .437

NO.	PER ASSEMBLY	PART NO.	PART NAME	STOCK SIZE	MATERIAL	SPECIFICATION	HEAT TREAT	U. T. S. P. S. I.	FINISH
2	2	AN470AD5	RIVET						
8	8	MS20601AD5	RIVET						
1	1	2622ID -5	LINING	MAKE FROM: "GREY ROCK"	#BB-299-SD	UNDRILLED PRIMARY BLANK			
	1	2622ID -3	BRAKE SHOE	040x3.12x18.9	AL.AL.	2024-T3ALC			
		2622ID -1	BRAKE SHOE ASS'Y						
LIMITS UNLESS OTHERWISE SPECIFIED									
ANGULAR DECIMAL									
REPLACES REPLACED BY									
B	NOTE 2.	ALL	V. Kozak 3/14/74	3-29-74	1-26D	-1	1		SCALE: FULL & 20
A	NOTE 1.	ALL	A.HAUCK 7-25-68	1D	7/25/68	MODEL	DASH NO.	REQ'D	ASSEMBLY
LET.	CHANGE	SERIAL	BY	DATE	APP.	DATE	REQ'D PER AIRPLANE		CHK
			SCHWEIZER AIRCRAFT CORP.		BRAKE SHOE ASS'Y - 1-26D		2622ID		REV.
			ELMIRA, NEW YORK		(STEEL TUBE FUSE.)				B

**CONFIDENTIAL**  
Proprietary Information of Schweizer Aircraft  
All Reproduction, Dissemination and Disclosures  
**STRICTLY FORBIDDEN**  
without the express written permission of Schweizer Aircraft.  
All rights reserved by Schweizer Aircraft  
Copyright Schweizer Aircraft (unpublished)