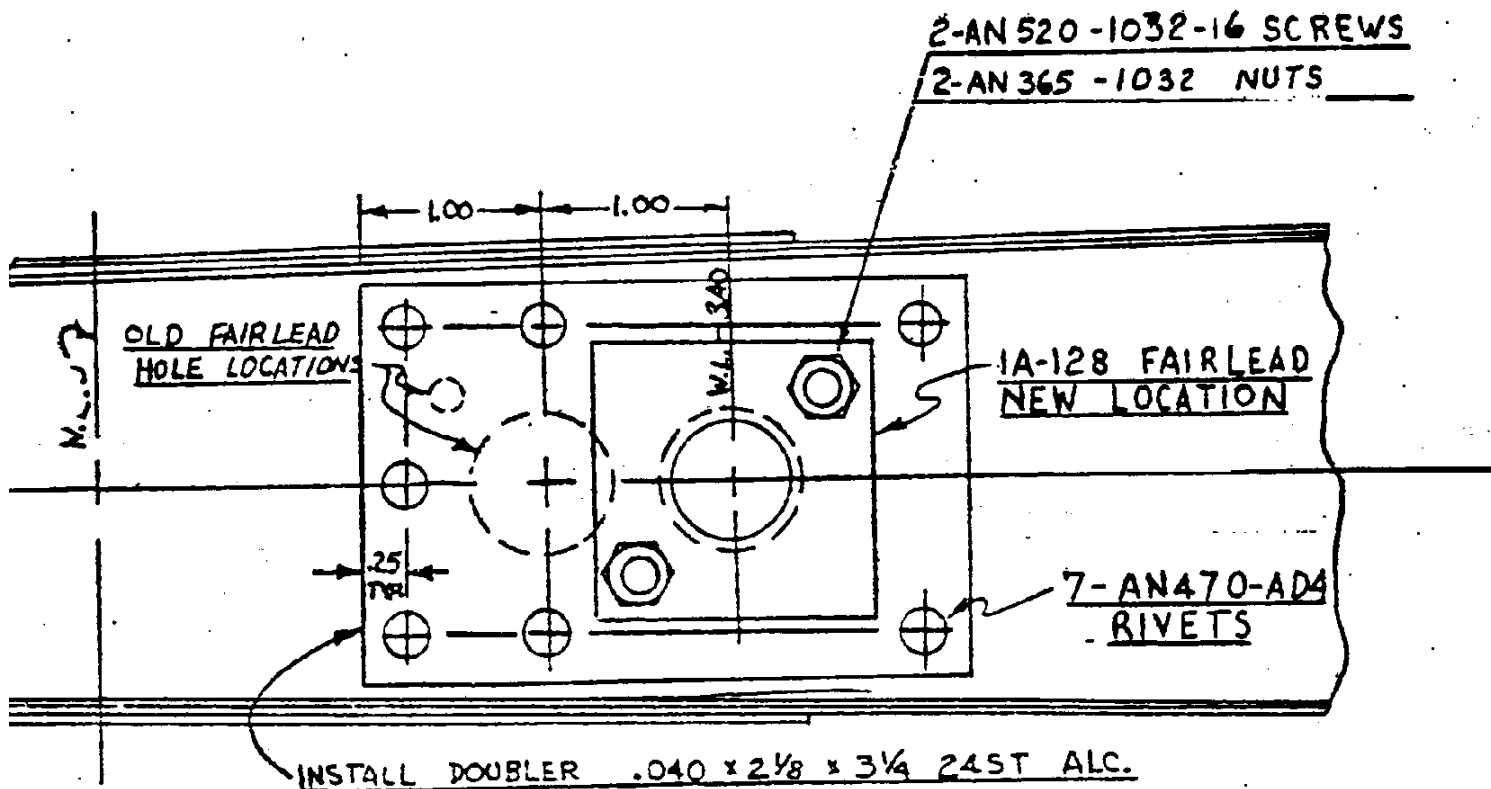


Service Bulletin No. 102-26-3

SGS 1-26, A, B, C

A condition has been discovered which could cause excessive wear on the 26B120-2A Elevator Control Cable at the 1A-128 Fairlead on the Fin Spar. This wear would be induced by the location of the 1A-128 Fairlead at W.L.--2.40. This condition exists on all ships to and including Ship No. 75.

The condition noted may be eliminated by relocation of the 1A-128 Fairlead to W.L. 3.40 according to the attached sketch. Material kits for this work are available upon request.



We recommend the accomplishment of this relocation at the earliest convenience and thorough inspection of the area and parts for indications of wear, each 25 hours until the relocation is made.

SCHWEIZER AIRCRAFT CORPORATION

Warren H. McClure
 Warren H. McClure
 Quality Control Supervisor
 January 3, 1958

WEM/ach